

JAN HRABÍK

Medieval barracks model render



Medieval sword game model

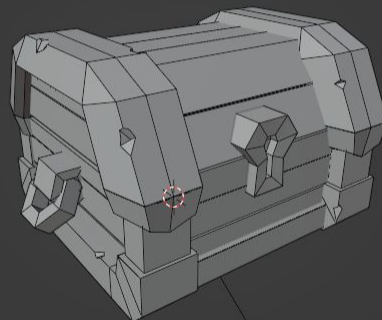


Lowpoly wooden chest model

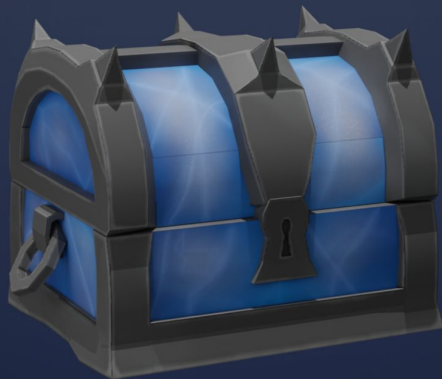


User Perspective
(1) Collection | Cube.009

Objects	0/7
Vertices	601
Edges	1,035
Faces	503
Triangles	1,071

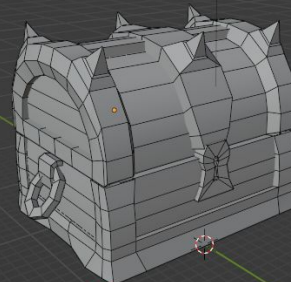


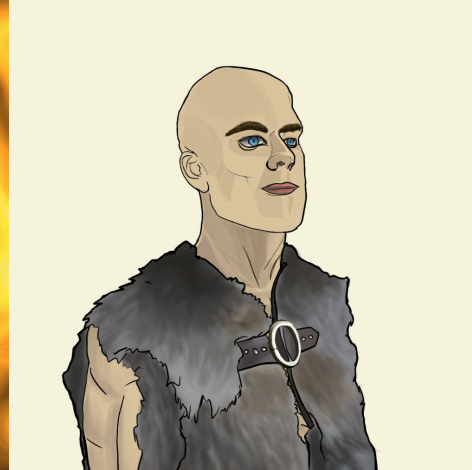
Lowpoly ice chest model



User Perspective
(15) Collection | Cube.002

Objects	0/9
Vertices	782
Edges	1,552
Faces	807
Triangles	1,666





Illustrations from NFT game project



Cyber items 3D renders



Mobile game in development



Hill defender game : <https://jendimir.itch.io/hilldefender>